

# Datasheet

## LED Satellite – D50



CAT. NO. 685204/LI, 685205/LI, 685206/LI, 685207/LI



685204/LI

Specifications		
Cat. No.	685204/LI, 685205/LI	685206/LI, 685207/LI
Operation Mode	Non - maintained	
Type	SPU	AXIOM
Battery	Li-ion 6.4 V, 1.5 Ah	
Operating Voltage	230 - 240 V a.c. 50 Hz	
Power Consumption	0.95 W	1.4 W
LED Service Life (LSL)	100,000 hrs	
Body Construction	Polycarbonate	
Operating Temperature	10°C to 40°C	
IP Rating	IP20	
Compliance	AS/NZS 2293, AS/NZS 60598	
Product Marking		

# LED Satellite – D50

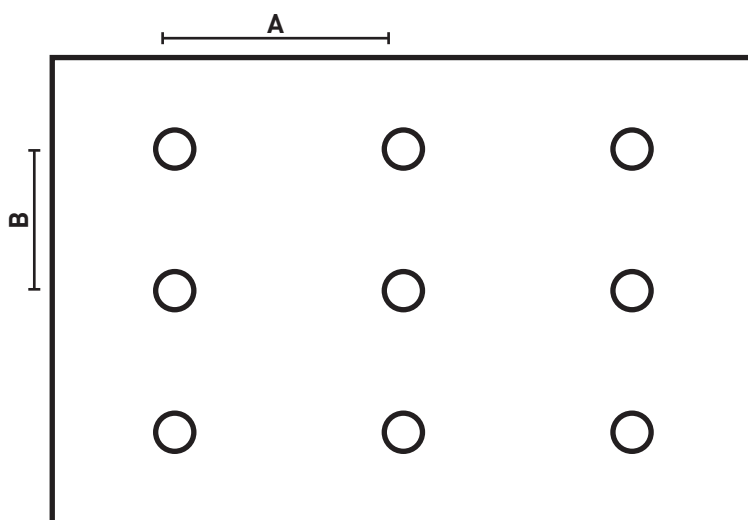
CAT. NO. 685204/LI, 685205/LI, 685206/LI, 685207/LI



## FEATURES

- Suitable for all emergency lighting applications.
- Energy efficient: less than 1W energy consumption in stand by mode.
- Easy to install.
- Suitable for different hole sizes.
- One high brightness LED.
- iSmart™ temperature sensing technology for Li-ion battery.
- Electronics designed to lengthen the life of the battery.
- SPU or Axiom options.
- Also available in black.
- 5 Year Warranty.
- Designed and Manufactured in Australia.

Cat. No.	Description	Classification C <sub>0</sub> /C <sub>90</sub>
<b>SPU</b>		
685204/LI	LED Satellite Flex and Plug - White	D50
685205/LI	LED Satellite Flex and Plug - Black	D50
<b>Axiom</b>		
685206/LI	Axiom LED Satellite Flex and Plug - White	D50
685207/LI	Axiom LED Satellite Flex and Plug - Black	D50



## Spacing table:

Maximum spacings between luminaires for 0.2 lux (Australia)

Mounting Height (m)	2.4	2.7	3	3.3	3.6	4.0
<b>A</b>	13.2	14.8	16.5	18.1	19.8	21.8
<b>B</b>	13.2	14.8	16.5	18.1	19.8	21.8

As per AS/NZS 2293:2018

Maximum spacings between luminaires for 1 lux (New Zealand)

Mounting Height (m)	2.4	2.7	3	3.3	3.6	4.0
<b>A</b>	10.5	10.8	11.0	11.2	11.4	11.5
<b>B</b>	10.5	10.8	11.0	11.2	11.4	11.5

As per AS/NZS 2293:2018

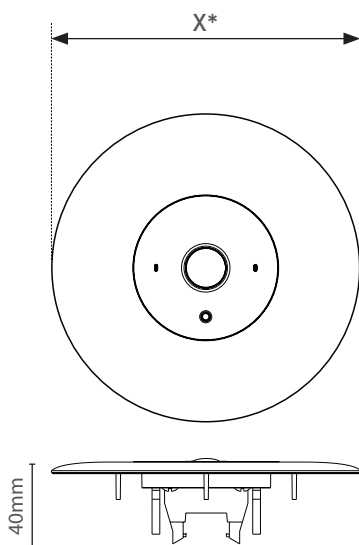
# LED Satellite – D50

CAT. NO. 685204/LI, 685205/LI, 685206/LI, 685207/LI



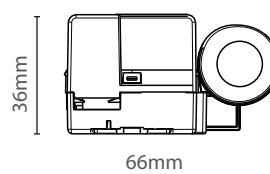
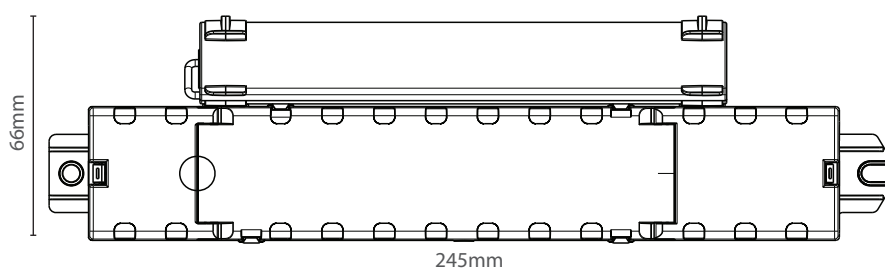
## DIMENSIONS

### Fascia

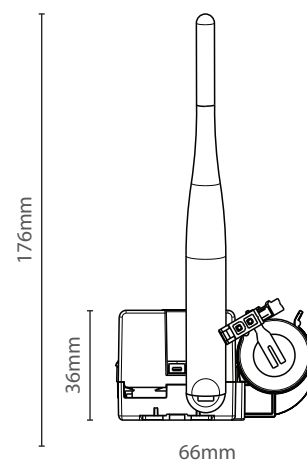
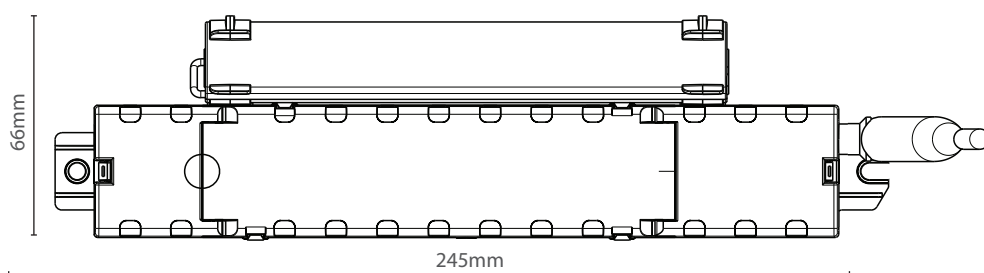


Type	Diameter (X*)
Satellite (No trim)	60 mm
Small Ring	80 mm
Medium Ring	120 mm
Large Ring	150 mm

### SPU Power Pack



### AXIOM Power Pack



Legrand - Australia  
1300 369 777  
www.legrand.com.au  
ABN 31 000 102 661

Legrand - New Zealand  
0800 476 009  
www.legrand.co.nz

Refer to your group buying office, Legrand Sales Representative or Legrand Sales office for pricing.

Please note: specifications are subject to change without prior notice.